



Series 9700

Borehole Level Transmitters

Standard Features

- 0.25% accuracy
- Temperature corrected
- 4-10mA 2 wire or 0.5-4.5V 3 wire
- Sensor to IP68 (100 metres)
- Transmitter to IP65
- 6:1 turndown

Optional Features

- 0.1% accuracy
- 5 digit local indicator
- Integral power supply
- **ATEX Approval for Hazardous Environments**

Ancillary Equipment

- Analogue indicators
- Digital indicators
- Alarm & control relays

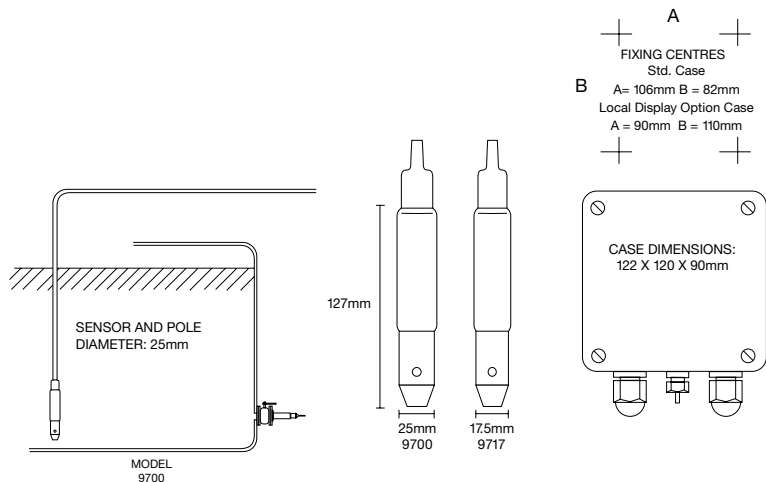


The Ashridge range of Pressure Transmitters have been specifically designed to a very high specification with rugged reliability.

 II 1G Ex ia IIC T4

Series 9700

Borehole Level Transmitter



SPECIFICATION

Range adjustment: 6:1 of nominal range

Zero adjustment: $\pm 10\%$ (user adjustable).

Operating temperature range:

Sensor: -30 to 90°C , Electronics: -25 to 70°C

Accuracy

Standard 0.25% (inc the effects of linearity, hysteresis and repeatability)

0.1% available as option.

Zero temperature coefficient: $< \pm 0.01\%$ per $^{\circ}\text{C}$ of nominal range between -25 and 70°C .

Span temperature coefficient: $< \pm 0.02\%$ per $^{\circ}\text{C}$ of nominal range between -25 and 70°C

Output signal: 4-20ma 2 wire or 0.5-4.5V 3 wire.

Supply voltage: 10-30 Volts DC.

Cable: Various to suit application.

Ex II 1G Ex ia IIC T4 Ga ($-25^{\circ}\text{C} \leq T_a \leq +70^{\circ}\text{C}$)

OPTIONS/ORDERING CODE

9700/

9700 Sensor suspended by 6 core cable.

9700/x50

Material and nominal range of capsule in metres water gauge, i.e. Inconel 50 metres w.g.

Nominal ranges: 10, 50, 100, 200 metres water gauge.

9700/x50/60

Specify cable length in metres, i.e. 60 metres.

9700/x50/60/45

Specify factory set range in metres water gauge i.e. 45 metres w.g.

9700/x50/60/45/D2

Special options i.e. D2 = 5 digital LCD local display (linear only)

PSU2a = Universal power supply (24-280Vac/dc).

AGENT

ASHRIDGE[®]

Ashridge Engineering Ltd.
Unit 1a, 58 North Road Industrial Estate,
Okehampton, Devon, EX20 1BQ
United Kingdom
t: +44 (0) 1837 53381
f: +44 (0) 1837 55022
e: sales@ash-eng.co.uk
www.ash-eng.co.uk

CE
EN50081-1
EN50082-1

9700-030809
Subject to change without notification